

2.7V 450F ULTRACAPACITOR CELL

BCAP0450 P270 S18

High Power and Energy in a Small Form Factor



Maxwell Technologies' 2.7V 450F ultracapacitor cell is part of Maxwell's full featured lineup of energy storage solutions designed to provide support of the latest trends in renewable energy wind turbine pitch control systems, small UPS systems, consumer and industrial electronics and medical equipment. The 2.7V 450F ultracapacitor cell is designed for performance and system optimization in a long life smaller form factor. Whether used alone, integrated into a module assembly, or in a hybrid configuration, Maxwell's ultracapacitor products will help reduce the overall cost and size of the system while improving return on investments for the customer.

Ultracapacitors are the technology of choice for high energy and high power applications because of their longer operating lifetime, low maintenance requirements, and superior cold weather performance when compared to batteries.

FEATURES AND BENEFITS

- High performance product with low ESR
- Long lifetimes with up to 500,000 duty cycles*
- Small 35mm diameter enables compact system designs
- Snap-in terminals for PCB mounting
- Compliant with UL, RoHS and REACH requirements

TYPICAL APPLICATIONS

- Wind Turbine Pitch Control
- Backup and UPS System
- Consumer and Industrial Electronics
- Medical Equipment
- Emergency Lighting

ORDERING INFORMATION

| Model Number | Part Number | Package Quantity (MOQ) |
|-------------------|-------------|------------------------|
| BCAP0450 P270 S18 | 134380 | 110 |

*Results may vary. Additional terms and conditions, including the limited warranty, apply at the time of purchase. See the warranty details for applicable operating and use requirements.

PRODUCT SPECIFICATIONS & CHARACTERISTICS

Values are referenced at T_A = room temperature and V_R = 2.7V rated voltage (unless otherwise noted). Min and Max values indicate product specifications. Typical results will vary and are provided for reference only. Additional terms and conditions, including the limited warranty, apply at the time of purchase. See the warranty details for applicable operating and use requirements.

| Symbol | Parameter | Conditions | Min | Typical | Max | Unit |
|-------------------|---|--|-------------|------------------------|-------------|------------------|
| ELECTRICAL | | | | | | |
| V_R | Rated Voltage | | – | – | 2.7 | V |
| V_{SURGE} | Surge Voltage | Note 1 | – | – | 2.85 | V |
| C_R | Rated Capacitance | BOL, Note 2,8 | 450 | 480 | 540 | F |
| R_S | Equivalent Series Resistance (ESR_{DC}) | BOL, Note 2,8 | – | 2.8 | 3.2 | m Ω |
| I_{LEAK} | Leakage Current | Note 3,8 | – | 0.5 | 1.0 | mA |
| I_{PEAK} | Peak Current | BOL, Note 4,8 | – | – | 240 | A |
| I_{MAX} | Continuous Current | BOL, Note 7,8 - $\Delta T = 15^\circ C$ - $\Delta T = 40^\circ C$ | – – | – – | 28 46 | A_{RMS} |
| LIFE | | | | | | |
| t_{65C} | High Temperature Life | $V_R = 2.7V$ and $T_A = 65^\circ C$, EOL, Note 8 - Capacitance change ΔC from min C_R - Resistance change ΔR from max R_S | – – – | 3,000 -20 +100 | – – – | hours % % |
| t_{85C} | De-rated Voltage & Higher Temperature Life | $V_R = 2.3V$ and $T_A = 85^\circ C$, EOL, Note 8 - Capacitance change ΔC from min C_R - Resistance change ΔR from max R_S | – – – | 1,500 -20 +100 | – – – | hours % % |
| t_{25C} | Projected Life Time | $V_R = 2.7V$ and $T_A = 25^\circ C$, EOL, Note 8 - Capacitance change ΔC from min C_R - Resistance change ΔR from max R_S | – – – | 10 -20 +100 | – – – | years % % |
| n_{CYCLE} | Projected Cycle Life | $T_A = 25^\circ C$, EOL, Note 6,8 - Capacitance change ΔC from min C_R - Resistance change ΔR from max R_S | – – – | 500,000 -20 +100 | – – – | cycles % % |
| t_{SHELF} | Shelf Life | Stored uncharged, $T_A = 25^\circ C$ and $RH \leq 50\%$ | – | 4 | – | years |

PRODUCT SPECIFICATIONS & CHARACTERISTICS

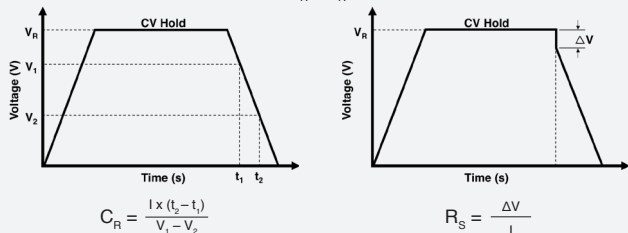
Values are referenced at T_A = room temperature and V_R = 2.7V rated voltage (unless otherwise noted). Min and Max values indicate product specifications. Typical results will vary and are provided for reference only. Additional terms and conditions, including the limited warranty, apply at the time of purchase. See the warranty details for applicable operating and use requirements.

| Symbol | Parameter | Conditions | Min | Typical | Max | Unit |
|---------------------------|--------------------------------|-------------------------|---------------------|---------|-----|-------|
| POWER & ENERGY | | | | | | |
| P_d | Usable Specific Power | BOL, Note 5,8 | – | 3.6 | – | kW/kg |
| P_{MAX} | Impedance Match Specific Power | BOL, Note 5,8 | – | 7.5 | – | kW/kg |
| E_d | Gravimetric Specific Energy | BOL, Note 5,8 | – | 6.0 | – | Wh/kg |
| E_{MAX} | Stored Energy | BOL, Note 5,8,9 | – | 0.45 | – | Wh |
| TEMPERATURE | | | | | | |
| T_A | Operating Temperature | Cell case temperature | -40 | 25 | 65 | °C |
| R_{th} | Thermal Resistance | Case to ambient, Note 7 | – | 5.7 | – | °C/W |
| C_{th} | Thermal Capacitance | | – | 88 | – | J/°C |
| PHYSICAL | | | | | | |
| m | Mass | | – | 75 | – | g |
| – | Vibration – Sine Wave | | IEC 60068-2-6 | | | – |
| – | Shock | | IEC 60068-2-27 | | | – |
| SAFETY | | | | | | |
| – | Certifications | | UL810A, RoHS, REACH | | | |

NOTES

1. **Surge Voltage**
Absolute maximum voltage, non-repetitive. The duration must not exceed 1 second.

2. **Rated Capacitance & ESR_{DC} (Measurement Method)**
 • Capacitance: Constant current charge (10mA/F) to V_R, 5 min hold at V_R, constant current discharge (10mA/F) to 0.1V.
 • ESR_{DC}: Constant current charge (10mA/F) to V_R, 5 min hold at V_R, constant current discharge (40 * C_R * V_R [mA]) to 0.1V.



$$C_R = \frac{I \times (t_2 - t_1)}{V_1 - V_2}$$

$$R_S = \frac{\Delta V}{I}$$

where C_R is the capacitance (F);
 I is the absolute value of the discharge current (A);
 V_R is the rated voltage (V);
 V₁ is the measurement starting voltage, 0.8 X V_R (V);
 V₂ is the measurement end voltage, 0.4 X V_R (V);
 t₁ is the time from discharge start to reach V₁ (s);
 t₂ is the time from discharge start to reach V₂ (s);
 R_S is the DC equivalent series resistance (Ω);
 ΔV is the voltage drop during first 10ms of discharge (V).

3. **Leakage Current (Measurement Method)**
 • Current measured after 72 hours of constant voltage hold at V_R and 25°C. Initial leakage current can be higher.
 • If applicable, module leakage current is the sum of cell leakage current and bypass current created by balancing circuit.

4. **Peak Current**
 • Current needed to discharge cell or module from V_R to 1/2V_R in 1 second.

$$I_{PEAK} = \frac{\frac{1}{2}V_R}{\Delta t / C_R + R_S}$$

where I_{PEAK} is the maximum peak current (A);
 V_R is the rated voltage (V);
 Δt is the discharge time (sec); Δt = 1 sec in this case;
 C_R is the rated BOL capacitance (F);
 R_S is the maximum BOL ESR_{DC} (Ω).

• The stated peak current should not be used in normal operation and is provided as a reference value only.

5. **Energy & Power (Based on IEC 62576)**

• Usable Specific Power, P_d (W/kg) = $\frac{0.12V_R^2}{R_S \times m}$

• Impedance Match Specific Power, P_{MAX} (W/kg) = $\frac{0.25V_R^2}{R_S \times m}$

• Gravimetric Specific Energy, E_d (Wh/kg) = $\frac{E_{MAX}}{m}$

• Stored Energy, E_{MAX} (Wh) = $\frac{\frac{1}{2}C_R \times V_R^2}{3,600}$

where V_R is the rated voltage (V);
 R_S is the maximum BOL ESR_{DC} (Ω);
 m is the typical mass (kg);
 C_R is the rated BOL capacitance (F).

6. **Projected Cycle Life**
 • Constant current charge-discharge cycle from V_R to 1/2V_R at 25°C.
 • Cycle life is dependent upon application-specific characteristics. Actual results will vary.

7. **Continuous Current & Thermal Resistance**
 • Maximum current which can be used continuously within the allowed temperature range.

$$I_{MAX} = \sqrt{\frac{\Delta T}{R_{th} \times R_S}}$$

where I_{MAX} is the maximum continuous current (A);
 ΔT is the change in temperature (°C);
 R_{th} is the typical thermal resistance (°C/W);
 R_S is the maximum BOL ESR_{DC} (Ω).

8. **BOL & EOL Conditions**
 • BOL (Beginning of Life): Rated/Initial product performance
 • EOL (End of Life):
 – Capacitance: 80% of min. BOL rating (0.8 x min. C_R)
 – ESR_{DC}: 200% of max. BOL rating (2 x max. R_S)

9. **Transportation Regulation**
 • Per United Nations material classification UN3499, all Maxwell ultracapacitor cells have less than 10Wh stored energy to meet the requirements of Special Provisions 361. Both individual ultracapacitors and modules composed of ultracapacitors shipped by Maxwell can be transported without being treated as dangerous goods (hazardous materials) under transportation regulations.

DETAILED PRODUCT DESCRIPTION

Introduction

The BCAP0450 P270 S18 energy storage cell is a robust ultracapacitor solution in a cylindrical style can with snap-in type terminals.

Technology Overview

Ultracapacitor, also known as supercapacitor or electric double layer capacitor (EDLC), delivers energy at relatively high rates (beyond those accessible with batteries). Ultracapacitors store charge electrostatically (non-Faradaic) by reversible adsorption of the electrolyte onto electrochemically stable high surface area carbon electrodes. Charge separation occurs on polarization at the electrode/electrolyte interface, producing a double layer. This mechanism is highly reversible, allowing the ultracapacitor to be charged and discharged hundreds of thousands of times.*

Ultracapacitor Construction

An ultracapacitor is constructed with symmetric carbon positive and negative electrodes separated by an insulating ion-permeable separator and packaged into a container filled with organic electrolyte (salt/solvent) designed to maximize ionic conductivity and electrode wetting. It is the combination of high surface-area activated carbon electrodes (typically >1500m²/g) with extremely small charge separation (Angstroms) that results in high capacitance.

$$\text{Ultracapacitor Energy} = \frac{1}{2} CV^2$$

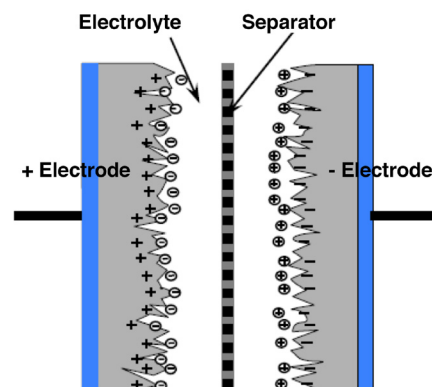
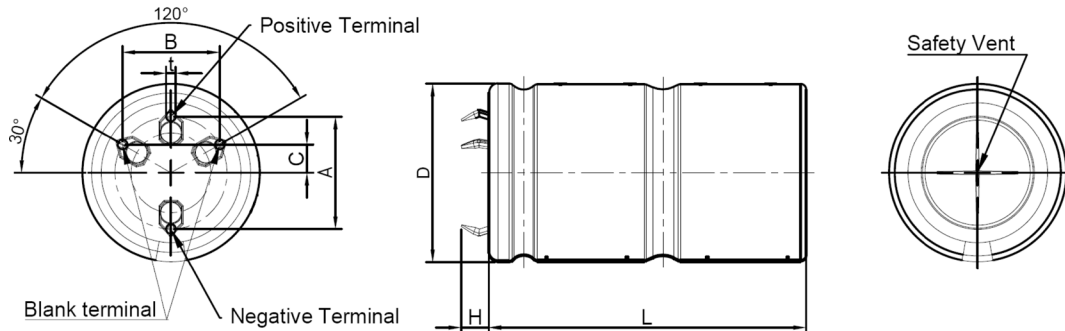


Figure 1: Ultracapacitor Structure Diagram

*Results may vary. Additional terms and conditions, including the limited warranty, apply at the time of purchase. See the warranty details for applicable operating and use requirements.

MECHANICAL DRAWINGS

BCAP0450 P270 S18



Recommended PCB pattern hole size : 2.0(±0.1)mm

WARNING:

The blank terminals are provided for mechanical support only. The corresponding PCB patterns must be isolated from positive and negative terminals. Failure to isolate the blank terminals may result in malfunction of the product.

| DIMENSION (Tolerance) | L (±1.0) | D (+1.0) | H (±1.0) | A (±0.5) | B (±1.0) | C (±0.5) | t (±0.1) | UNIT |
|--------------------------|-------------|-------------|-------------|-------------|-------------|-------------|-------------|------|
| BCAP0450 P270 S18 | 63.5 | 35.0 | 5.6 | 22.5 | 19.5 | 5.6 | 1.5 | mm |

Products and related processes may be covered by one or more U.S. or international patents and pending applications. Please see www.maxwell.com/patents for more information. Product dimensions are for reference only unless otherwise identified. Maxwell Technologies reserves the right to make changes without further notice to any products herein. "Typical" parameters which may be provided in Maxwell Technologies datasheets and/or specifications can and do vary in different applications and actual performance may vary over time. All operating parameters, including "Typicals" must be validated for each customer application by customer's technical experts. Please contact Maxwell Technologies directly for any technical specifications critical to application.

Maxwell Technologies, Inc.
Global Headquarters
 3888 Calle Fortunada
 San Diego, CA 92123
 USA
 Tel: +1 (858) 503-3300
 Fax: +1 (858) 503-3301

Maxwell Technologies, GmbH
 Leopoldstrasse 244
 80807 Munich
 Germany
 Tel: +49 (0)89 4161403 0
 Fax: +49 (0)89 4161403 99

**Maxwell Technologies
 Shanghai Trading Co., Ltd.**
 Room 1005, 1006, and 1007
 No. 1898, Gonghexin Road,
 Jin An District, Shanghai 2000072,
 P.R. China
 Tel: +86 21 3852 4000
 Fax: +82 21 3852 4099

**Maxwell Technologies
 Korea Co., Ltd.**
 17, Dongtangiheung-ro
 681 Beon-gil, Giheung-gu,
 Yongin-si, Gyeonggi-do 17102
 Republic of Korea
 Tel: +82 31 289 0721
 Fax: +82 31 286 6767

MAXWELL TECHNOLOGIES, MAXWELL, MAXWELL CERTIFIED INTEGRATOR, ENABLING ENERGY'S FUTURE, DURABLU, NESSCAP, XP, BOOSTCAP, D CELL and their respective designs and/or logos are either trademarks or registered trademarks of Maxwell Technologies, Inc., and/or its affiliates, and may not be copied, imitated or used, in whole or in part, without the prior written permission Maxwell Technologies, Inc. All contents copyright © 2019 Maxwell Technologies, Inc. All rights reserved. No portion of these materials may be reproduced in any form, or by any means, without prior written permission from Maxwell Technologies, Inc.